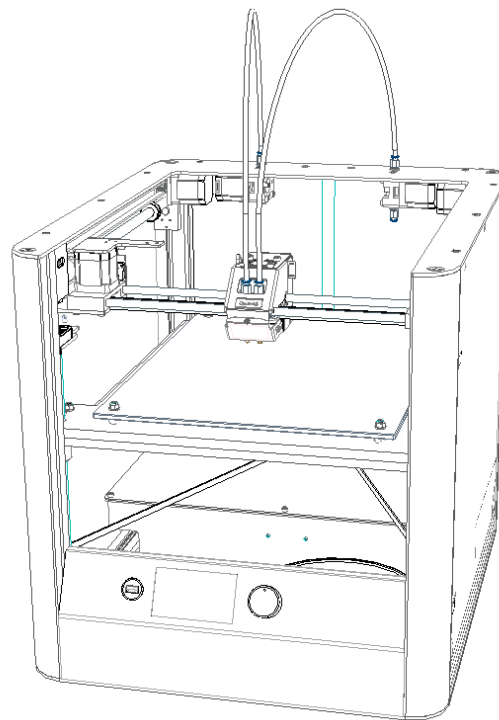




# Leapfrog Creatr HS

## DATASHEET

### V01-05

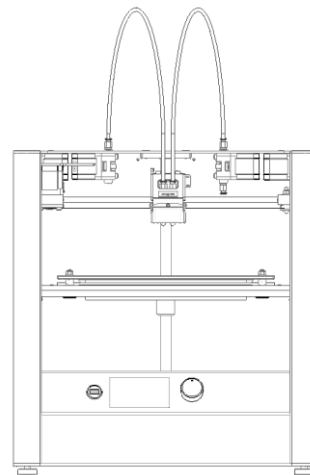
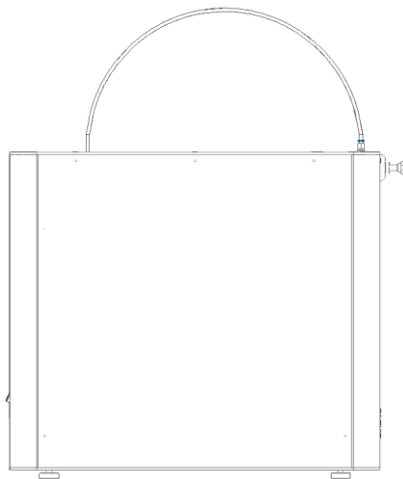
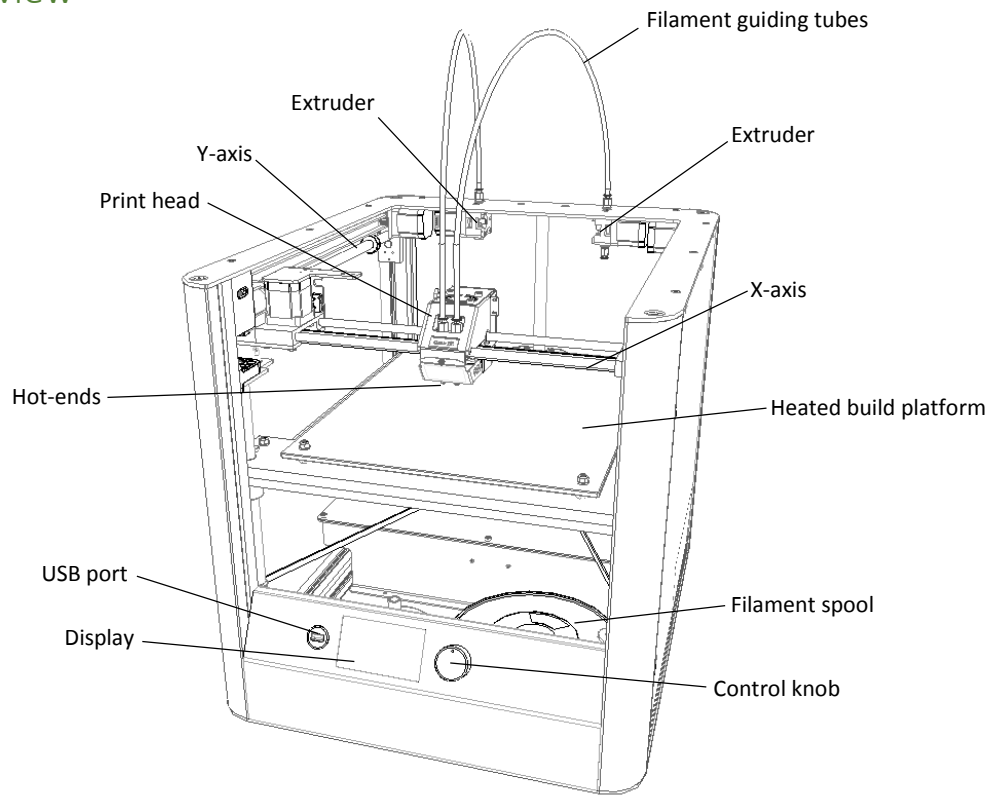


### Contents

1. Overview .....	2
2. Technical specifications .....	3
3. Non-disclosure .....	3



## 1. Overview



## 2. Technical specifications

Specification	Metric	Imperial
Physical dimensions (DWH)*	633 x 486 x 523 mm	24.9 x 19.1 x 20.6 inch
Input power**	85-133VAC / 170-264VAC	
Input frequency	47 - 63 Hz	
Power consumption	4 Amp. @230V / 6.4 Amp. @ 115V	
Build size single extruder (DWH)	280 x 270 x 180 mm	11.0 x 10.6 x 7.1 inch
Build size dual extruder (DWH)	280 x 240 x 180 mm	11.0 x 9.4 x 7.1 inch
Build volume	13.6 L.	3.0 Gal.
Heated bed	Max. 90°C	Max. 194°F
Hot end	Max. 275°C	Max. 527°F
Number of extruders	2	
Extruder size	0.35 mm	0.014 inch
Filament size	1.75 mm	0.069 inch
Layer thickness	0.02 – 0.35 mm	0.00079 – 0.014 inch
Max. print speed (DW)	18000 mm/min.   300 mm/sec.	708.66 inch/min.   11.8 inch/sec.
Max. travel speed (DW)	24000 mm/min.   400 mm/sec.	944.88 inch/min.   15.8 inch/sec.
Stepper motors	1.8° Step angle with 1/16 micro stepping	
Positioning accuracy (DW)	0.0169 mm	0.00067 inch
Positioning accuracy (H)	0.02 mm	0.00079 inch
Body/frame construction	Aluminium extrusion profiles	
Printbed Z-levelling	4-knob hand levelling	
Internal OS	Linux	
USB standalone format	.gcode format	
USB connection to computer	Virtual COM port	

\*DWH: Depth, Width, Height. Coordinate system reference Y, X, Z

\*\*Power input is set by Leapfrog, customers cannot change power input between 230/110V

## 3. Non-disclosure

This document, and parts of this document including images, drawings and schematics, remain property of Leapfrog BV and may not be distributed, copied digitally, photocopied, photographed or copied in any other way. All information described in this document is classified and may not be discussed or negotiated with third parties without express written permission of Leapfrog BV.

The recipient(s) of this document is (are) aware of this confidentiality and agree to the above.

Violating this non-disclosure may result in penalties decided by Dutch law and/or international corporate law.